



# For Effective Track Maintenance

## Paus Grader - Track Maintenance for Underground Mining



Compact Design



Flexibel:  
Front Area Configurable



Robust Hinge Mechanics



Powerful Drive



Maintenance Friendly



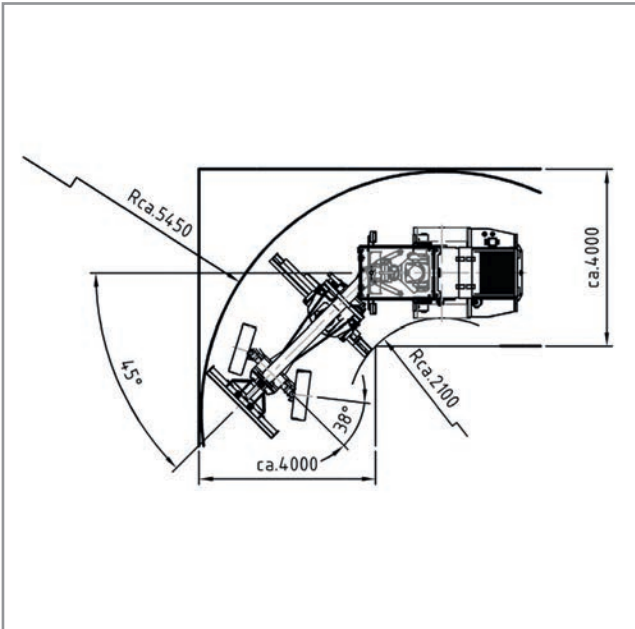
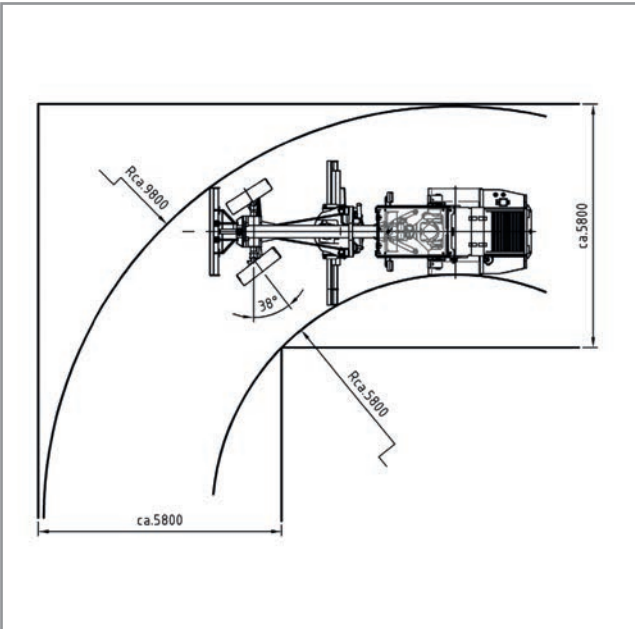
Comfortable Driver's Cabin



Fire Fighting System

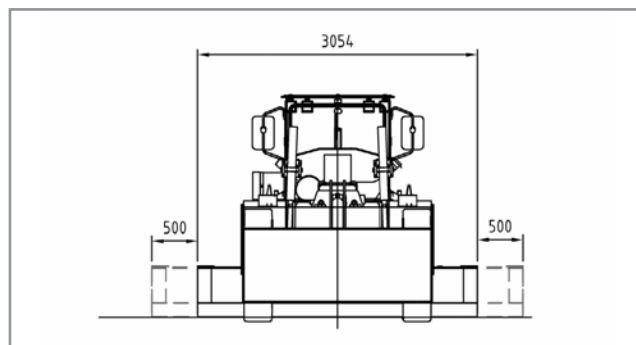
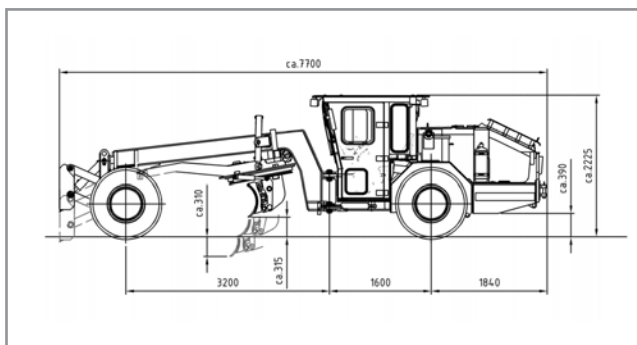


Worldwide, permanently trained service through our dealer network



# Technical Data

## Paus Grader PG



	PG 5 HA	PG 10 HA
Engine Versions	Deutz	Deutz Cummins
Performance	up to 95 kW	up to 127 kW
Standard Operating Weight	8.000 kg	11.500 kg
Permissible front axle load	3.000 kg	5.000 kg
Permissible rear axle load	5.000 kg	7.500 kg
Moldboard		
-working width	3.005 mm	3.055 mm
-Side shift	+/- 500 mm	+/- 500 mm
-Height	500 mm	500 mm
-Working depth, max.	260 mm	310 mm
-Cutting-angle adjustment		41° to 62°
-Slewing angle		+/- 45°
Chassis	articulated oscillation steering, with oscillating rear axle	
Drive Unit	Hydrostatic Drive	
Axles	Dana	
Tires	445/70 x19.5	12.00 x 20
Speeds	up to 20 km/h	
Tow Capacity	49 kN	70 kN
Standard Operating Temperature	-20°C up to 40°C	
Permissible Longitudinal Gradient	max. 35%	
Standard Operating Altitude Above Sea Level	< 1.500 m	
<b>All machines are also available with CE declaration, further variants and options are available upon request</b>		

Data Sheet 833834GB201904 All informations are subject to technical development. We reserve the right to make design changes. Illustrations partly with special equipment